



# DESIGNER MANUAL SCREEN

## SPECIFICATION DATA

**DA-LITE SCREEN COMPANY, INC.**  
 3100 North Detroit Street  
 Post Office Box 137  
 Warsaw, Indiana 46581-0137  
 Phone: 574/267-8101  
 800-622-3737  
 Fax: 574/267-7804  
 http:// www.da-lite.com  
 e-mail: info@da-lite.com

**SUGGESTED SPECIFICATIONS:** \_\_\_\_\_ projection screens, \_\_\_\_\_ (H) x \_\_\_\_\_ (W), wall or ceiling mounting type. Screen fabric to be seamless flame retardant and mildew resistant fiberglass with Glass Beaded or Matte White picture surface with black masking borders standard. Bottom of fabric shall be mounted into a metal strip in a tubular steel slat finished in baked enamel. Ends of slat shall be protected by plastic outer caps. Plated steel slat pull shall be attached to slat with screws. Fabric shall be mounted into a metal strip in a metal Camlok roller system without tape, glue, staples or cords so that the fabric may be easily replaced yet cannot be pulled from the roller. Case to be plywood and/or hardwood depending on style. Finished in veneer on all facing sides and painted on nonfacing sides. Sturdy mounting brackets installed for wall or ceiling installation.

**Matte White and Glass Beaded:** Surfaces will be seamless.

### DIMENSIONS

| Sizes     |           | A - Overall Length of Case |     | B - Distance Between Hanger Eyes |     | Approx. Shipping Weight |       |
|-----------|-----------|----------------------------|-----|----------------------------------|-----|-------------------------|-------|
| H x W     | Cm        | In.                        | Cm  | In.                              | Cm  | Lbs.                    | Kg    |
| 70" x 70" | 178 x 178 | 77"                        | 196 | 70"                              | 178 | 29                      | 13.15 |
| 84" x 84" | 213 x 213 | 91"                        | 231 | 84"                              | 213 | 32                      | 14.52 |
| 96" x 96" | 244 x 244 | 103"                       | 262 | 96"                              | 244 | 39                      | 17.69 |

### VIDEO FORMAT DIMENSIONS

| Viewing Area |           | Nominal Diagonal |     | A - Overall Length of Case |     | B - Distance Between Hanger Eyes |     | Approx. Ship. Wt. |       |
|--------------|-----------|------------------|-----|----------------------------|-----|----------------------------------|-----|-------------------|-------|
| H x W        | Cm        | In.              | Cm  | In.                        | Cm  | In.                              | Cm  | Lbs.              | Kg    |
| 50" x 67"    | 127 x 170 | 84"              | 213 | 77"                        | 196 | 70"                              | 178 | 29                | 13.15 |
| 60" x 80"    | 152 x 203 | 100"             | 254 | 91"                        | 231 | 84"                              | 213 | 32                | 14.52 |
| 69" x 92"    | 175 x 234 | 120"             | 305 | 103"                       | 262 | 96"                              | 244 | 39                | 17.69 |

Specifications subject to change without notice.  
 Overall case length dimensions  $\pm 1/4"$ .

### PLEASE MARK APPROPRIATE SELECTIONS:

Select size from chart above:

#### Select viewing surface:

- Matte White
- Glass Beaded

#### Options:

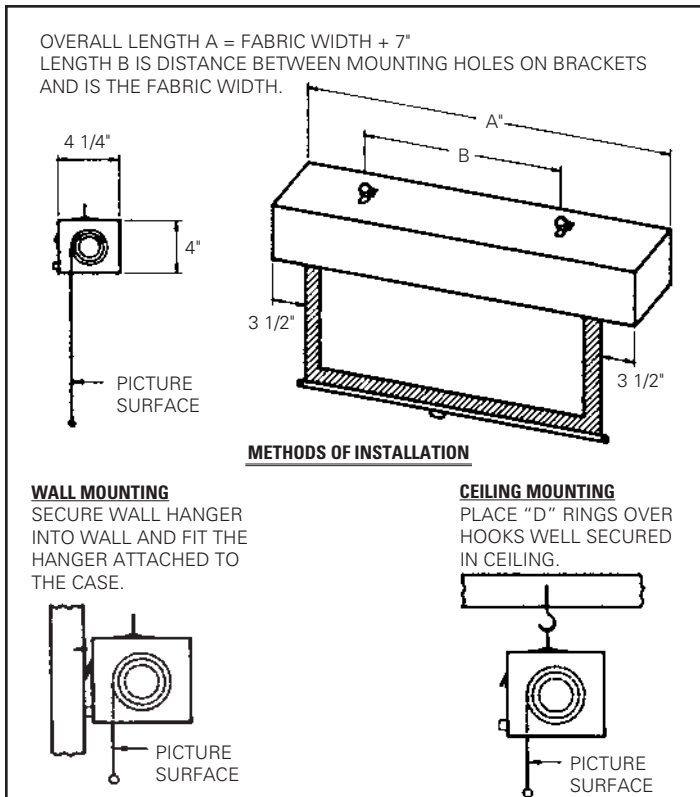
- No borders (Black masking borders standard.)

#### Style:

- Concord
- Lexington
- Hamilton

#### Finish:

- Veneer
- Cherry
- Light Oak
- Medium Oak
- Mahogany
- Natural Walnut
- Heritage Walnut
- Honey Maple
- Custom



Project: \_\_\_\_\_

Architect: \_\_\_\_\_

Phone: \_\_\_\_\_

Contractor: \_\_\_\_\_

Phone: \_\_\_\_\_

Supervisor: \_\_\_\_\_

Phone: \_\_\_\_\_

Date: \_\_\_\_\_

Revised: \_\_\_\_\_