



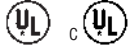
PROFESSIONAL ELECTROL®

Automatic Electric Projection Screen Model

DA-LITE SCREEN COMPANY, INC.
 3100 North Detroit Street
 Post Office Box 137
 Warsaw, Indiana 46581-0137
 Phone: 574/267-8101
 800-622-3737
 Fax: 574/267-7804
 http:// www.da-lite.com
 e-mail: info@da-lite.com

SPECIFICATION DATA

SUGGESTED SPECIFICATIONS: _____ projection screens, _____(H) x _____ (W), electrically operated 120 volt A.C. (60 Hz). Screen will have 2.6 amp. motor. Three wire quick reversal motor especially designed for the purpose, to be oiled for life, with automatic thermal overload cutout and integral interlocking gears. To have preset but adjustable limit switches to automatically stop screen fabric in the "up" and "down" positions. Stop action to be positive to prevent coasting. Rigid metal roller, to be at least 3" in diameter (on screens 12' wide), 5-3/4" in diameter (on screens 14' to 18' wide) or 7" in diameter (on screens where either height or width equal or exceed 20'). Roller to be mounted in one heavy duty bracket equipped with self-aligning bearing. Motor to be mounted inside of roller, secured to the case with a steel motor mount bracket. Screen surface to be flame retardant and mildew resistant. Glass Beaded or Matte White with black masking borders standard. Case to be of wood, with double top for extra rigidity and strength. Case to be finished with a primer coat, ready to accept final finish by others, heavy metal brackets shall be supplied for mounting screen to ceiling or wall. To be complete with three position control switch with cover plate. Screen to be listed by Underwriter's Laboratories.



Matte White: Horizontal seams required when both dimensions exceed 16 feet.

Glass Beaded: Horizontal seams required when both dimensions exceed 8 feet.

DIMENSIONS

Sizes		Overall Length of Case		Approximate Shipping Weight	
H x W	Cm	In.	Cm	Lbs.	Kg
9' x 12'	274 x 366	12'10"	391	245	111
12' x 12'	366 x 366	12'10"	391	251	114
10'6" x 14'	320 x 427	14'10"	452	266	121
14' x 14'	427 x 427	14'10"	452	266	121
12' x 16'	366 x 488	16'10"	513	382	173
16' x 16'	488 x 488	16'10"	513	382	173
13'6" x 18'	411 x 549	18'10"	574	429	195
18' x 18'	549 x 549	18'10"	574	429	195
15' x 20'	457 x 610	20'10"	635	835	378.76
20' x 20'	610 x 610	20'10"	635	845	383.29
11' x 22'	335 x 671	22'10"	696	901	408.69
16'6" x 22'	503 x 671	22'10"	696	911	413.23
22' x 22'	671 x 671	22'10"	696	921	417.77
12' x 24'	366 x 732	24'10"	757	987	447.70
18' x 24'	549 x 732	24'10"	757	997	452.24

VIDEO FORMAT DIMENSIONS

Nominal Diagonal		Viewing Area		Overall Length of Case		Approx. Shipping Wt.	
In.	Cm	H x W	Cm	In.	Cm	Lbs.	Kg
210"	533	123" x 164"	312 x 417	14'10"	452	260	118
240"	610	142" x 188"	361 x 478	16'10"	513	380	172

Detail dimensional drawings, wiring diagrams and installation instructions available upon request.

DO NOT SEAL IN — ALLOW ACCESS - Recessed installation requires access to screen roller.

FOR EXPOSED INSTALLATION - If the screen is to be mounted in an exposed position, it may be covered with finished plywood, veneer, paneling, plastic wall covering or a valance.

Overall case length dimensions ±1/4". Specifications subject to change without notice.

NOTE: See drawings for dimension and suggested methods of installations on back.

WHEN ORDERING, MAKE APPROPRIATE SELECTIONS:

Select size from charts.

Viewing surface:

- Matte White Glass Beaded

Options:

- Black "Extra Drop" to lower picture area more than normal. Maximum total drop 22' including picture area, except for 24' wide, where maximum drop is 18'.
- White "Extra Drop" to lower picture area more than normal. Maximum total drop 22' including picture area, except for 24' wide, where maximum drop is 18'.
- Single Motor Low Voltage Control System-3 Button.
- Wireless Remote Control for L.V.C. system.
 - Radio Frequency Remote.
 - Infrared Remote.
- Locking Switch Cover Plate for 120V or 3 Button Switch.
- Key Operated Switch for 120V only (NOTE: Cannot be used with low voltage system).
- No Borders (Black masking borders standard).
- 220 Volt (50 Hz) Motor.
- Video Projector Interface Control, 12V or 5V.
- External SCB-100 - RS-232 Serial Control Board
 - NET-100 Ethernet-Serial Adapter
 - MNC-100 Master Network Controller Software

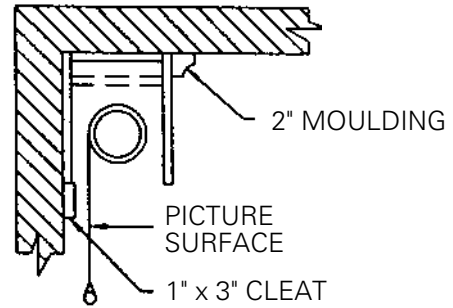
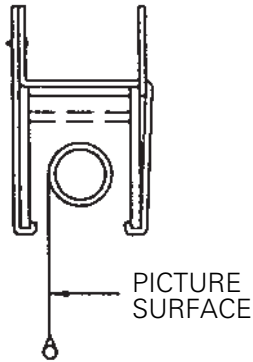
Project:	_____

Architect:	_____
Phone:	_____
Contractor:	_____
Phone:	_____
Supervisor:	_____
Phone:	_____
Date:	_____
Revised:	_____

PROFESSIONAL ELECTROL®

SUGGESTED METHODS OF INSTALLATION

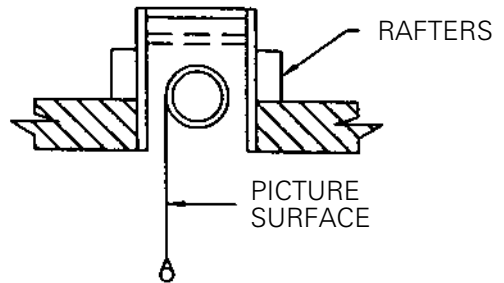
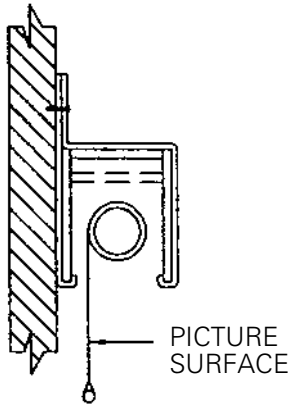
CEILING TYPE HANGER



CEILING MOUNT WITHOUT HANGERS

Screen case is placed flush with the wall and ceiling and held in position by moulding securely attached to the wall.

WALL TYPE HANGER



RECESSED ABOVE CEILING

Other methods of installation will suggest themselves in new buildings where it would be an easy matter to provide a recess for the screen to conceal it when not in use.

Do not seal in—allow access.

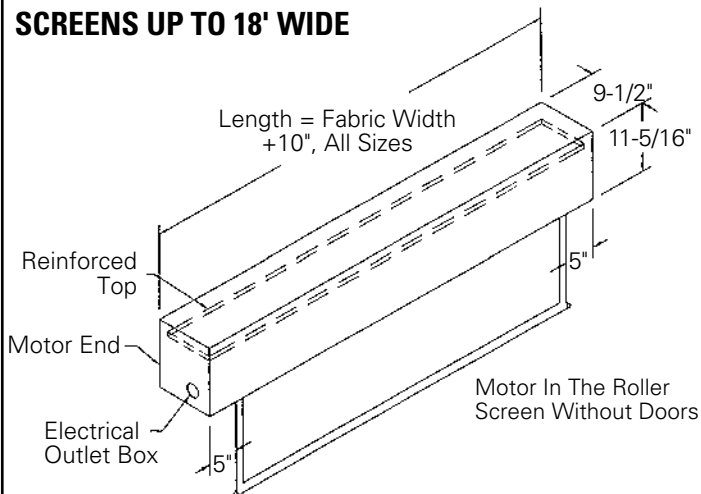
WALL OR CEILING MOUNT WITH HANGERS

Wall type hangers and ceiling type hangers are standard equipment. One set is supplied with each screen. Useful for recessed installations.

FOR EXPOSED INSTALLATION

If the screen is to be mounted in an exposed position, it may be covered with finished plywood, veneer, paneling, plastic wall covering or a valance.

SCREENS UP TO 18' WIDE



SCREENS 20' AND WIDER

