



TENSIONED ADVANTAGE DELUXE ELECTROL®

Automatic Electric Projection Screen

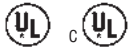
SPECIFICATION DATA

DA-LITE SCREEN COMPANY, INC.
3100 North Detroit Street
Post Office Box 137
Warsaw, Indiana 46581-0137
Phone: 574/267-8101
800-622-3737
Fax: 574/267-7804
http://www.da-lite.com
e-mail: info@da-lite.com

SUGGESTED SPECIFICATIONS: _____ projection screen(s), _____ (H) x _____ (W), size. The Tensioned Advantage Deluxe screen shall have two motors, one to operate door and one to operate screen. Door motor electrically operated 120 volt (60 Hz) 1.2 amp. Shall have specially designed motor mounted inside the roller, to be three wire with ground, quick reversal type, oiled for life, with automatic thermal overload cutout, integral gears, capacitor and an electric brake to prevent coasting. To have pre-set but adjustable limit switches to automatically stop fabric door in the "up" and "down" positions. The roller to be of rigid aluminum, 1-1/2" in diameter. Screen motor is electrically operated 120 volt (60 Hz) 1.4 amp. Shall have specially designed motor mounted inside the roller with a noise silencer to be three wire quick reversal type, oiled for life, with automatic thermal overload cutout, integral gears, capacitor and an electric brake to prevent coasting. To have pre-set but adjustable limit switches to automatically stop picture surface in the "up" and "down" positions. The roller to be of rigid metal, 3-3/16" in diameter. Screen fabric to be seamless, flame retardant and mildew resistant vinyl, with Da-Mat, High Contrast Da-Mat, Audio Vision, High Contrast Audio Vision, Da-Tex (Rear), Dual Vision, Cinema Vision, High Contrast Cinema Vision, High Contrast Cinema Perf or Pearlescent surface with black masking borders standard. Each side of the fabric to have tab guide cable system to maintain even lateral tension and hold surface flat. Custom slat bar with added weight maintains vertical tension on the screen surface. Case shall be an aluminum extrusion. Bottom of case to be self-trimming with a built-in flange around the bottom of the case. Case to be white. Steel brackets bolted to the ends of case for ceiling mounting. A section of the bottom of the case shall be an aluminum door equipped with hinges so that it opens and closes automatically with the lowering and raising of the picture surface. The balance of the bottom of the case shall be a second hinged aluminum door with manual opening to provide access. Hinges shall be mounted in a concealed way. Junction box shall be integrated into the housing making it possible to install the housing and wire to the building's electrical system during construction. The junction box shall contain a five prong connector that is mounted in the housing for easy plug-in connection to the motorized fabric and roller assembly. The motorized fabric and roller assembly to be installed in the case at the factory or at a later time at the job site. To be complete with three position control switch with cover plate. Screen to be listed by Underwriters' Laboratories.

All viewing surfaces will be seamless.

Audio Vision, High Contrast Audio Vision and High Contrast Cinema Perf available in sizes up to 87" x 116" in Video Format and 78" x 139" in HDTV Format.



SQUARE FORMAT DIMENSIONS

Viewing Area		Overall Length of Case		Approx. Ship. Wt.	
H x W	Cm	In.	Cm	Lbs.	Kg
50" x 50"	127 x 127	73-1/4"	187	93	42.18
60" x 60"	152 x 152	84-1/4"	215	104	47.17
70" x 70"	178 x 178	95-3/4"	244	116	52.62
84" x 84"	213 x 213	112-1/4"	286	125	56.70
6' x 8'	183 x 244	122-1/4"	311	140	63.50
8' x 8'	244 x 244	125-3/4"	320	148	67.13
7' x 9'	213 x 274	136-1/4"	347	155	70.31
9' x 9'	274 x 274	134-3/4"	343	159	72.12
8' x 10'	244 x 305	149-3/4"	381	165	74.84
10' x 10'	305 x 305	146-3/4"	373	168	76.20
9' x 12'	274 x 366	170-3/4"	434	189	85.73

VIDEO FORMAT DIMENSIONS

Viewing Area		Nominal Diagonal		Overall Length of Case		Approx. Ship. Wt.	
H x W	Cm	In.	Cm	In.	Cm	Lbs.	Kg
43" x 57"	109 x 145	72"	183	79-1/4"	202	102	46.27
50" x 67"	127 x 170	84"	213	90-1/4"	230	114	51.71
60" x 80"	152 x 203	100"	254	104-1/4"	265	125	56.70
69" x 92"	175 x 234	120"	305	118-1/4"	301	148	67.13
87" x 116"	221 x 295	150"	381	145-1/4"	370	170	77.11
108" x 144"	274 x 366	180"	457	170-1/4"	433	189	85.73
120" x 160"	305 x 406	200"	508	187-1/4"	476	203	92.08

HDTV FORMAT DIMENSIONS

Viewing Area		Nominal Diagonal		Overall Length of Case		Approx. Ship. Wt.	
H x W	Cm	In.	Cm	In.	Cm	Lbs.	Kg
45" x 80"	114 x 203	92"	234	102-3/4"	262	125	56.70
52" x 92"	132 x 234	106"	269	115-1/4"	293	140	63.50
54" x 96"	137 x 244	110"	279	119-3/4"	304	145	65.77
58" x 104"	147 x 264	119"	302	128-1/4"	326	150	68.04
65" x 116"	165 x 295	133"	338	141-1/4"	359	163	73.94
78" x 139"	201 x 353	159"	404	166-1/4"	423	188	85.28

All screens standard with 12" black drop at top except 200" diagonal which has 4".
Extra drop may alter case dimensions. Contact Da-Lite for details.
Overall case length dimensions $\pm 1/4"$.

Detail dimensional drawings, wiring diagrams and installation instructions available upon request.
Specifications subject to change without notice.
NOTE: Letterbox formats available upon request.

WHEN ORDERING, MARK APPROPRIATE SELECTIONS:

Select size from charts on the other side.

Select viewing surface:

- Da-Mat
- High Contrast Da-Mat
- Dual Vision
- High Contrast Audio Vision
- Cinema Vision
- Audio Vision
- High Contrast Cinema Vision
- High Contrast Cinema Perf
- Pearlescent
- Da-Tex (Rear)

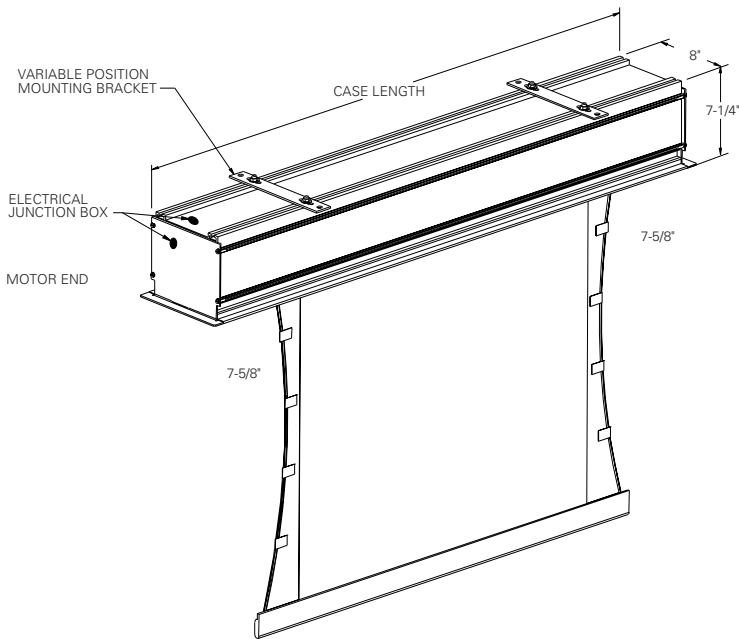
Optional Accessories:

- Single motor low voltage control, 3 button with one (1) Switch. Available separately or built-in with screen.
 - Radio Frequency Wireless Remote Control for LVC System.
 - Infrared Wireless Remote Control for LVC system.
- Key Locking Cover Plate for 120V switch for LVC.
- Key Operated Switch for 120V only (NOTE: Cannot be used with low voltage system).
- 220/240 Volt (50 Hz) motor.
- Video Projector Interface - 12V or 5V.
- SCB-100 RS-232 Serial Control Board
 - NET-100 Ethernet-Serial Adapter
 - MNC-100 Master Network Controller Software

Project:	_____

Architect:	_____
Phone:	_____
Contractor:	_____
Phone:	_____
Supervisor:	_____
Phone:	_____
Supplier:	_____
Date:	_____
Revised:	_____

TENSIONED ADVANTAGE DELUXE ELECTROL®



SUGGESTED CEILING INSTALLATION

